

PF8410



GALILEI MECHANICAL COMBI OVEN 10 TRAYS 600X400 - GN 1/1

rev: PF8410_PI5



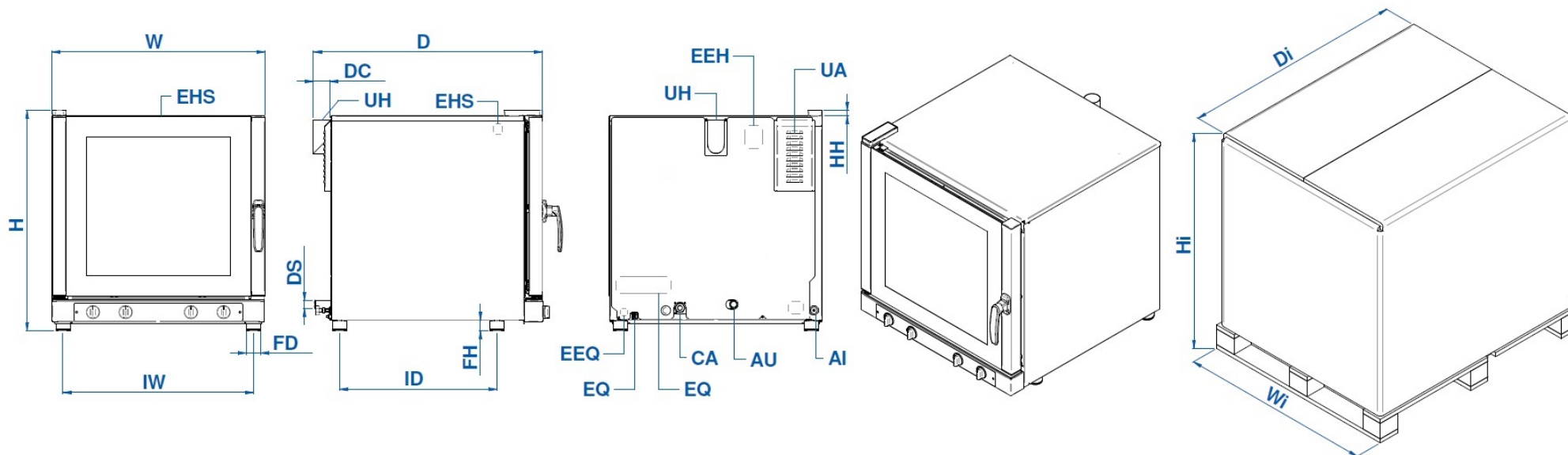
Load Capacity		n°10 - EN 600x400 - GN 1/1
Space between trays		80 mm
Cooking chamber dimensions - Gross volume		66x43x90 cm - 267 lit
WxDxH - Width x Depth x Height		78x85x120 cm
Nominal power	kW	15.7 kW
Heating power		3x5000W @230V
Motor power		3x200W @230V
N° motor speed phases		3
Reverse		Reverse Air Flow
Nominal voltage		400V 3N~
Nominal Current		22/22/25/3 A
Suggested cross section cable		5x4 mm ² H07RN-F
Frequency		50/60 Hz
Cooking chamber material	AISI	Inox AISI304
Timer		0 - 120'
Humidity/Steaming		•
Temperature		30 - 260 °C
Waterproof level		IPx4
Net weight		121 kg
WixDixHi - Width x Depth x Height - Package		85x103x136 cm



PF8410



GALILEI MECHANICAL COMBI OVEN 10 TRAYS 600X400 - GN 1/1



UH - Exhaust hot fumes
UA - Cooling air exit
CA - Power Cord
EQ - Equipotential terminal
EHS - Hot surface label
EDT - Datasheet label
AI - Water in

AU - Water out
EAI - Water in label
UC - Non-return valve
RF - Junction Ø8 - 3/4
RG - Junction Ø8 - Ø8 90°
EEQ - Equipotential label
EHH - Exhaust hot fumes label

IW : 70 cm
ID : 58 cm
FD : Ø 5,2 cm
FH : 5,5 cm
DC : Ø 6 cm
HH : 2 cm
DS : Ø 3 cm

Wheelbase feet - width
 Wheelbase feet - deep
 Ø feet
 Feet height
 Ø exhaust pipe
 Hinge height
 Ø water out pipe

PF8410



GALILEI MECHANICAL COMBI OVEN 10 TRAYS 600X400 - GN 1/1

